

CANplus™ 600 Series FOR ELECTRONICALLY GOVERNED ENGINES

DESCRIPTION

The LOFA CANplus™ 600 (CP600) Series is a universal platform to monitor and control electronically governed diesel engines. The large LCD display (4.25" diagonal) shows virtually any SAE J1939 parameter reported by the ECU, including RPM, engine temperature, oil pressure and diagnostic codes. The LCD is clearly readable in both bright sunlight as well as total darkness and is housed in a rugged IP67 rated housing. The five integral push buttons allow configuration and operation of the display modes.

A single momentary switch adjusts the integral throttle control for most electronically governed engines using CANbus throttle control. An optional digital rotary throttle control is available. The CP600 allows each system to be field configured to suit the customer's unique requirements. Most common operational parameters can be configured from the display. Optional analog gauges can be installed for analog sensors or to display many ECU parameters with a simple add-on module.

The standard panel terminates to a sealed Deutsch weatherproof plug. This connector offers a robust connection that performs well in harsh environments and allows for simplified installation. The design allows installing custom plug-and-play engine wiring harnesses as well as standard harness extensions.



Pictured Above: CP600



Pictured Above: Rotary digital throttle with push-to-set speed selector allows for changes to Auto-start Operate RPM within pre-defined operational limits



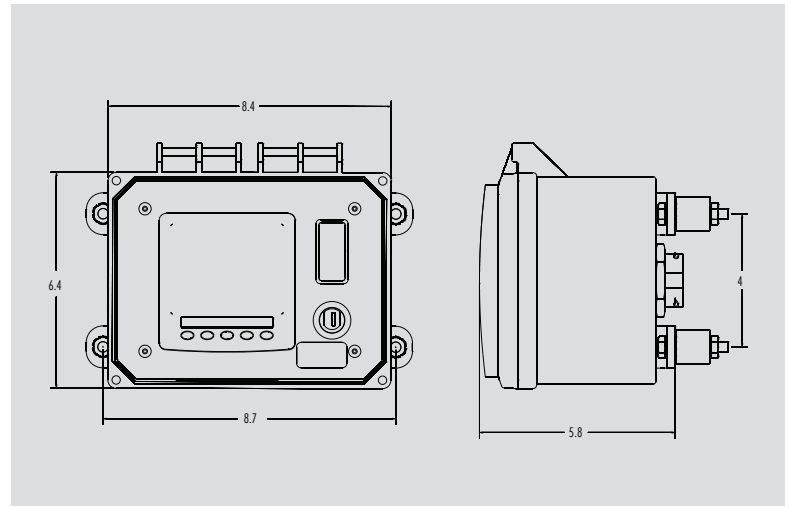
Pictured Above: Deutsch 21 pin engine harness connector



FEATURES AND BENEFITS

- Universal engine support for electronically governed engines
- Engine monitoring and diagnostics via First-Fault Diagnostics (FFD)
- Large backlit IP67 LCD displays parameters and diagnostics - clearly readable in both bright sunlight as well as total darkness
- Integral throttle control via simple momentary toggle switch or optional digital rotary control for CANbus throttle
- Heavy-duty IP64 water-resistant key switch with booted key capable of up to 75A @ 12V
- Polycarbonate NEMA 4X enclosure with lockable door with integrated isolation mounting designed to withstand the most extreme industrial applications
- Simple plug-and-play installation customized to the specific application allows rapid equipment completion
- Versatile design enables customization for customer's specific applications
- Optional powder-coated Aluflex™ aluminum enclosure with optional lockable vandal-protection door

DIMENSIONS



SPECIFICATIONS

- Standby current: 20 mA @ 12 VDC, 40 mA @ 24 VDC
- Operating temperature: -13° to 167° F (-25° to 75° C)
- Key Switch: 75 A for 1 second (5% duty cycle)/18 A continuous @ 12V; 25,000 mechanical cycles)
- Reverse polarity protection
- 2-year limited warranty

Inputs/Outputs

- SAE J1939 Bus (CANbus 2.0B)
- ECU/Solenoid Control
- Starter Solenoid Output (70A 1 second, 10 A continuous)
- RS485 Serial Interface for Auxiliary Equipment